

Your complete range of dust collectors

Aspiratori per laboratori odontotecnici



100%
Made in Italy
since 1955

IT



II Emeritalia manufactures vacuum cleaners for dental technician benches and goldsmith's laboratories, compatible with any type of equipment used and integrable to the workstation in over-counter or under-counter mode. The high power combined with the low noise level of Emeritalia's vacuum cleaners ensure greater work efficiency and the highest standards of cleanliness and safety, thanks to the punctual suction and multilayer filtering of dust generated during processing.



F.LLI PELUSI S.R.L.
VIA ROMA N.11
20026 NOVATE MILANESE (MI)
P.Iva n.11230390152

Tel.+39 0233240260
email: info@pelusi.com

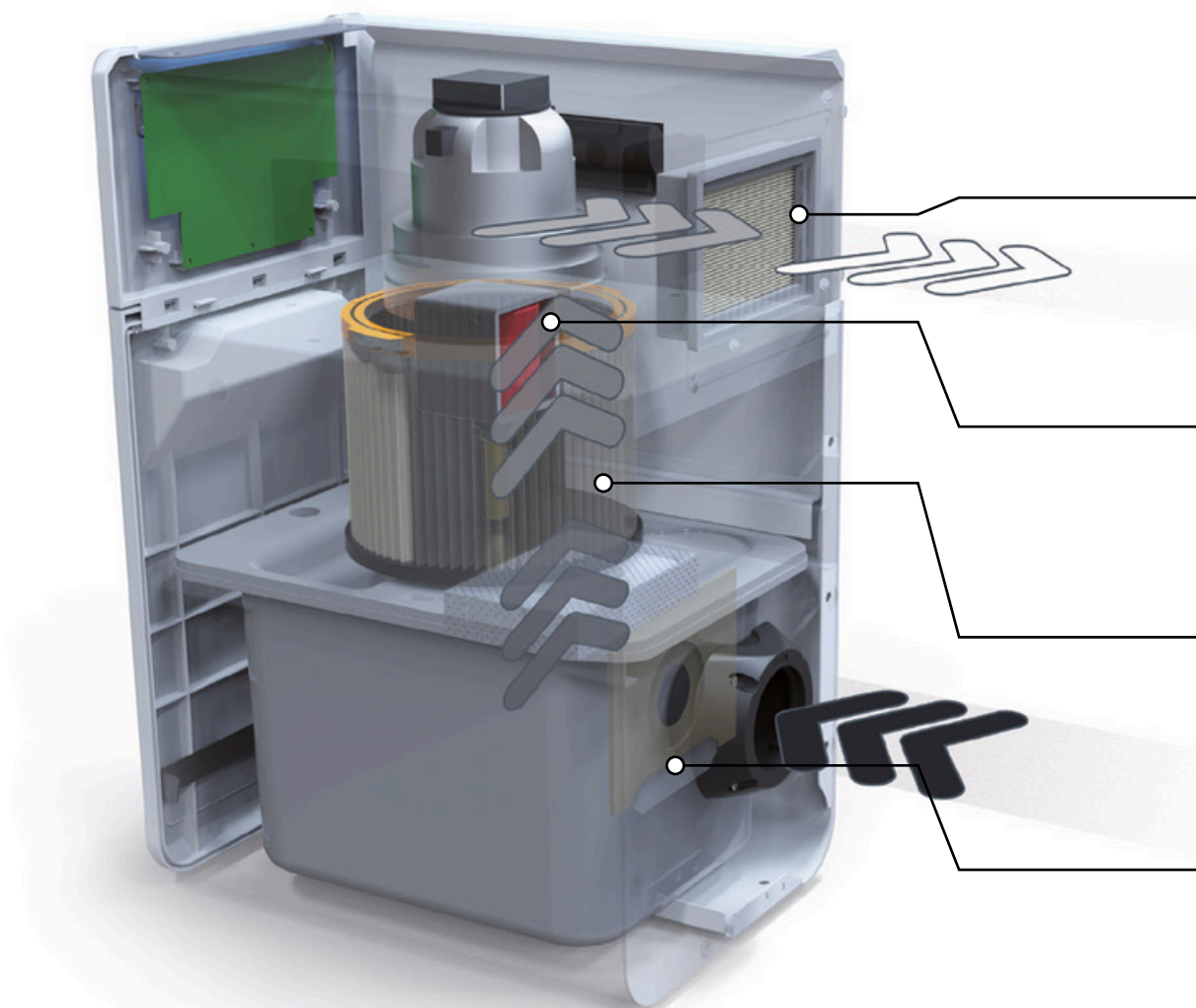


Practicality of use: LABÒ vacuum cleaners are extremely immediate to connect (by Plug&Play connection), operate, clean and maintain. They are equipped with EMC control, which automatically manages start/stop phases and as well suction power.

Powerful, quiet, clean: LABÒ vacuum cleaners are extremely powerful while being surprisingly quiet at the same time. Absolute cleanliness is ensured by a multi-level filtration system.

Flow scheme

Multilayer filtration



Exhaust pleated filter
E12 class

Automatic filter cleaning
(according to models)

Main cartridge filter
M class
EN60335.2.69

Microfiber bag
M class
EN60335.2.69

- IMMAGINI A SOLO SCOPO ILLUSTRATIVO -

L'azienda si riserva il diritto di modificare caratteristiche estetiche e tecniche senza preavviso

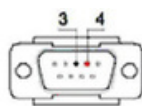
Large quantities of milling and fine powders put quickly your CAM unit in critical condition: they must be removed quickly and effectively.

LABÒ CAM vacuums remove dust from milling machine and the highly effective filtering system reliably picks it up.

Connecting the vacuum to the CAM unit. The interface connection ensures that the CAM unit and the vacuum device communicate perfectly to automatically manage start and stop. For the toughest jobs, the LABÒ CAM is also available with brushless motor.



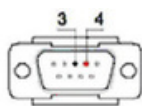
CAVI DI INTERFACCIA



Imes Core

6+/5 GND

4+/3 GND



AG

6+/5 GND

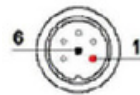
3+/4 GND



VHF - 4 pin

6+/5 GND

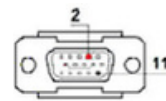
1+/4 GND



VHF - 6 pin

6+/5 GND

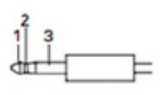
1+/6 GND



Sirona

6+/5 GND

2+/11 GND



Roland

6+/5 GND

1+/2 GND

Product type

Function and features

Model compatibility

Labò 2 ECMM



The best vacuum cleaner for workbenches and equipment for every modern dental and goldsmith laboratory. LABÒ vacuum cleaners effectively remove dust from equipment, and the highly efficient filtering system reliably captures it.

Connectable to all devices thanks to EMC control that handles automatic and/or manual startup. Equipped with suction power regulator and filter shaker (according to model) to preserve the motor filter protection . Front door for quick maintenance and/or filter replacement.

OPTIONALS



REMOTE CONTROL

Remote control kit

220/240	Voltage Volt
900	Power Watt
45	Flow rate L/S
2.100	Depression mm/H2O
Brush	Engine technology
EMC	Operating mode
M Class bag	Filter technology
Classe M	Primer filter quality
E12	Output filter quality
---	Filter cleaning
Si	CAM interface
< 59dB (A)	Noise level (max)
240 x 310 x 480	Dimensions mm
15	Weight kg



F.LLI PELUSI S.R.L.
VIA ROMA N.11
20026 NOVATE MILANESE (MI)
P.Iva n.11230390152
Tel.+39 0233240260
email: info@pelusi.com



+39 393 9807294



pelusi fratelli srl



@pelusi_srl

Linea completa di aspiratori per il settore dentale e orafco.

www.pelusi.com